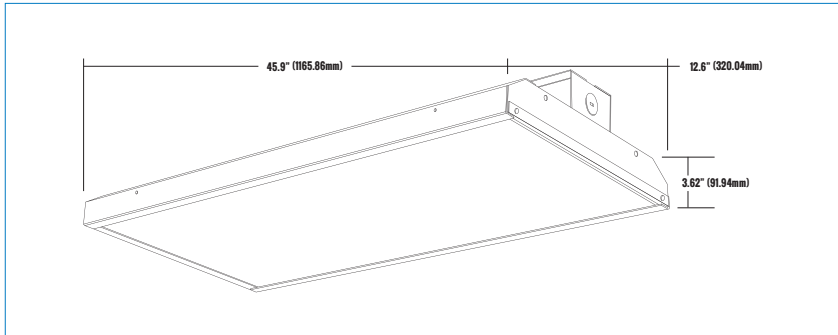


CATALOG #		TYPE
PROJECT		DATE
PREPARED BY		

PRODUCT CODE: HBL4-223U40-WH

LED LINEAR HIGH BAY/4FT



PRODUCT DESCRIPTION

The Etlin-Daniels HBL4-223U40-WH, 120-277V LED Linear Highbay offers excellent illumination, color rendering and energy savings in a compact 4 foot package. With over 130lm/w, and >29,000lm, this fixture easily replaces 400W Metal Halide lighting at mounting heights up to 35 feet or Pulse Start Metal Halide up to 450W. These fixtures provide high lumen levels and have precision designed frosted optics for even illumination and minimal glare. By taking advantage of the optional wire guards, multiple mounting and color temperature choices, excellent color rendering, and available 0-10V Continuous Dimming, the HBL4-120-277V series is the right solution for industrial, commercial, big box retail and sports facilities.

FEATURES


- Indoor LED Light Source
- >130lm/w
- Compact, light weight 4 foot design
- Precision designed frosted optics
- Wire guards available
- Fixture package includes V-Hooks and chain for suspension mount
- Pendant mount option available.
- Damp location rated
- 0-10V Continuous Dimming
- 5 Year Warranty
- L70 - 50,000 hours
- DLC Premium

PRODUCT SPECIFICATIONS (OPTICAL DATA)

PRODUCT SPECIFICATIONS (ELECTRICAL DATA)

LED TYPE	LED QTY	SYSTEM EFFICACY	LUMENS	COLOR TEMPERATURE	BEAM ANGLE	CRI	SYSTEM EFFICIENCY	VOLTAGE	POWER FREQ.	POWER EFFICIENCY	POWER FACTOR	HARMONIC DISTORTION
SEOUL	448 CHIPS	130LM/W	28,990LM	4000K	120°	>80CRI	>85%	AC120~277V	50~60HZ	>85%	>0.95	<10%

PRODUCT SPECIFICATIONS

WATTAGE	FIXTURE MATERIAL	LIFE SPAN	STORAGE TEMP	OPERATING TEMP	PRODUCT DIMENSIONS	CARTON SIZE	
223W	BAKED WHITE ENAMEL/OPAL LENS DIFFUSER	>50,000 HOURS	-30°C~-50°C -22°F~-122°F	-40°C~-80°C -40°F~-176°F	45.9 X 12.6 X 3.62 INCHES (1165.86 X 320 X 91.94 MM)	47.04 X 12.95 X 3.85 INCHES (1195 X 329 X 98 MM)	

ADDITIONAL INFORMATION

INSTALLATION METHOD

V HOOK & CHAIN/PENDANT MOUNT APPLICATIONS

FIXTURE COLOR

WHITE ENAMEL/OPAL LENS

CONTROL TYPE

0-10V CONTINUOUS DIMMING

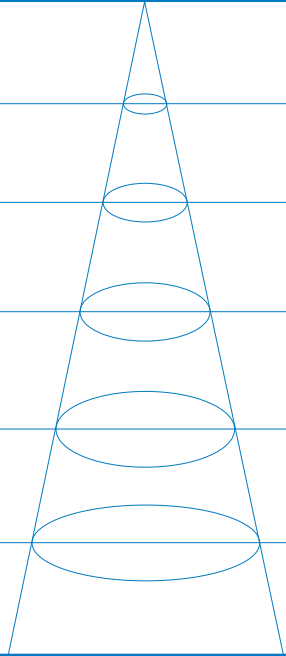
CATALOG #		TYPE
PROJECT		DATE
PREPARED BY		

PRODUCT CODE: HBL4-223U40-WH

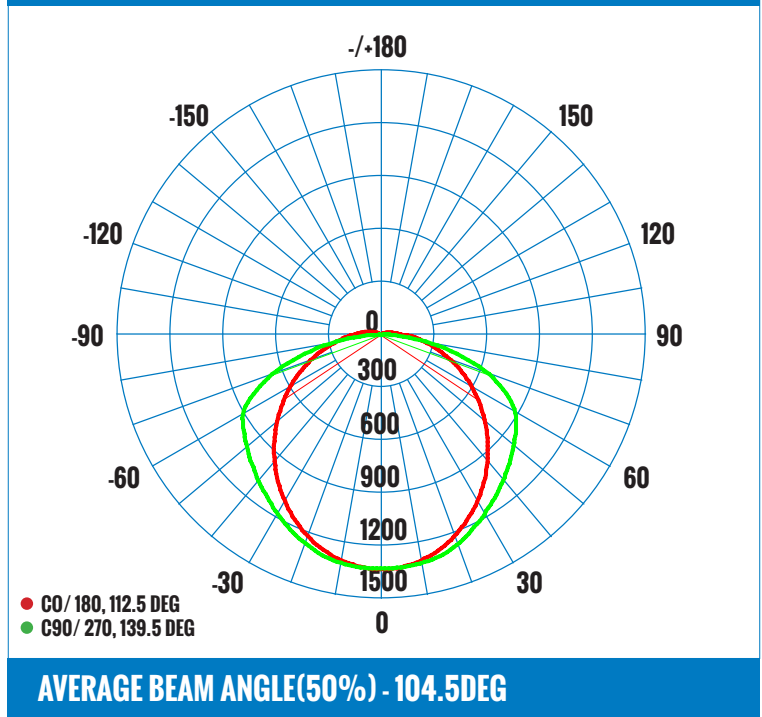
LED LINEAR HIGH BAY/4FT

LUMINAIRE PHOTOMETRIC (TEST REPORT)

ILLUMINANCE (AT A DISTANCE) - FLUX OUT: 23646.38LM

			
FT 1.7M	144.7,484.9LX		16.67FT 5.08M
FT 2.7M	57.36,192.2LX		26.47FT 8.07M
FT 3.7M	30.54,102.4LX		36.29FT 11.06M
FT 4.7M	18.93,63.44LX		46.10FT 14.05M
FT 5.7M	12.87,43.13LX		55.94FT 17.05M
HT	EAVG/EMAX	ANGLE: 112.45DEG	DIA

LUMINOUS INTENSITY DISTRIBUTION DIAGRAM

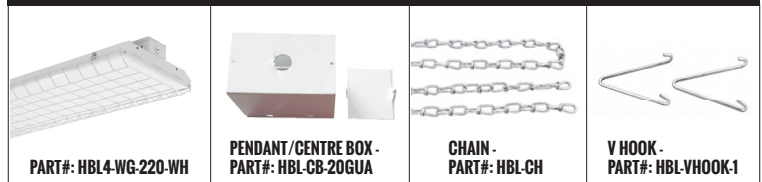


CERTIFICATIONS

DRIVER/LED CHIP



MOUNTING OPTIONS/ACCESSORIES



ORDERING INFORMATION - HBL4 SERIES

SERIES	SIZE	WATTS	VOLTAGE	COLOR TEMPERATURE	DIMMABLE	FINISH
E.G. HBL	4	223	U	4	0	WH
HBL - HIGH BAY LINEAR	4 - 4'	223 - 223W	U - 120-277V	4 - 4000K	0 - 0-10V CONTINUOUS DIMMING	WH - WHITE

Head Office - 1850 Wilson Ave. · Toronto, ON · M9M 1A1 · Tel: 416.741.7336 · Fax: 416.741.9104

Toll Free: in Canada. 1.800.661.9610 · in USA. 1.888.762.5384 (SOCKETS4U)

www.etlin-daniels.com · For sales/service questions - sales@etlin.com