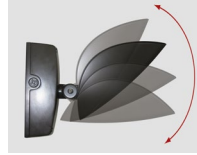


The VEK1-LED26 is an adjustable multi-purpose fixture that replaces traditional wall packs and floods. The head can be aimed up or down where light is needed. The fixture includes a photocell for dusk to dawn operation.



APPLICATIONS

Ideal for use on outdoor walls along perimeters of buildings, townhouses, condominiums, schools.

Project	
Type	
Date	
Notes	

SPECIFICATIONS

Construction

Die cast aluminum housing with tamper proof stainless steel hardware. Clear tempered glass lens with a gasket. There are 5 conduit entries and the unit has a leveling bubble on the back box for proper alignment.

LED configuration

The VEK1-LED26 has two led arrays each with six LEDs that deliver 2541 lumens. The LEDs have a color temperature of 5000K, a CRI of greater than 70 and an operating temperature range of -40° C - to +40°C. 4000K and 3000K also available.

Mounting

Wall mount, ceiling mount or ground mounted on a concrete pad. Unit can be mounted to standard junction boxes.

Adjustable head

The fixture can be aimed 0° - 90° delivering more lumens on the ground where needed.

Electrical

Total system wattage of the unit is 26W. The unit has a high efficiency dimmable driver that operates at 120V standard. 347V also available.

Finish

Standard finish is Bronze, Black, or White. Please consult factory for custom colour.

Photocell

Included for dusk to dawn operation or custom requirements.

Accessories

Goof tray, On/Off Motion Sensor, Dimmable Motion Sensor.

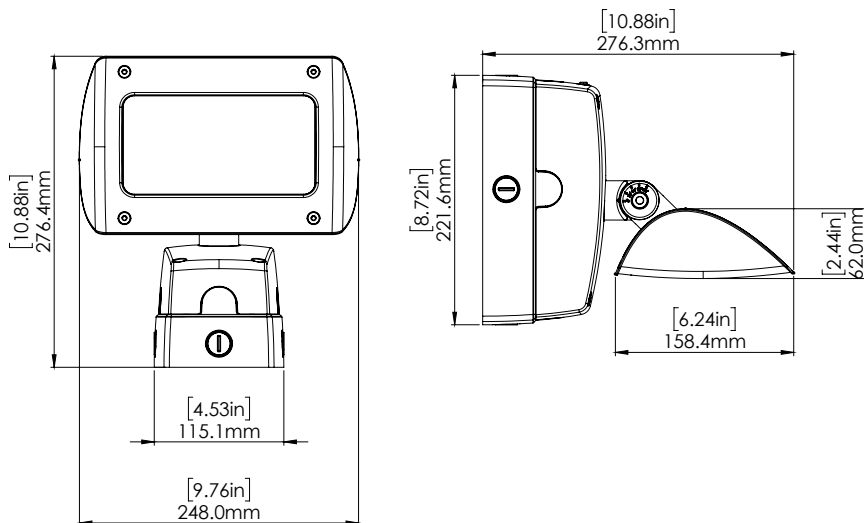
Sign light

The VEK Series of fixtures can also be used with various arms for sign lighting. Contact us to learn more.

Input Watts	26W
Lumens	2541
Efficiency	98 lumens per watt

Operating Temperature	-40°C - +40°C
Certification	cULus, DLC, IP65 meets LM79, LM80
Warranty	5 Years
LED life	100,000 hours

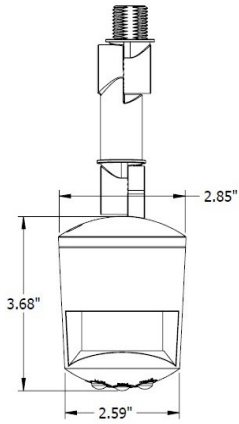
DIMENSIONS



With Optional Motion Sensor



OPTIONS



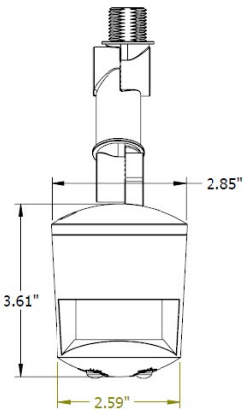
MS180DIM 0 - 10V Dimmable Smart Sensor (DMS)

Dimmable Smart Sensor

The MS180DIM is a fully adjustable, dimmable smart sensor that allows you to provide reduced light levels as low as 10% when no motion is detected.

FEATURES: DIMMABLE SMART SENSOR

- Adjustable light levels ensure fixture is fully on when needed and dimmed or off when not.
- Smart dimming reduces electrical load and heat generated by the fixture resulting in increased fixture life.
- Sensor has an extension arm with two rotatable joints that allow mounting from the bottom conduit access or the side conduit access of fixture.
- Daylight sensor without smart dimming (MS180S) also available in the same design.



MS180S On/Off Sensor (SMS)

On/Off Sensor

The MS180S is a fully adjustable motion sensor that can be set for dusk to dawn operation or other custom applications.



VEK Sign Light

Wall mount sign light . Also available as a roof mount.



Goof Tray

VEK with a Goof Tray to hide damage and discoloration on mounting surface.

Contact us to learn more.

PHOTOMETRICS

CATALOG NUMBER: VEK1-LED26-A-5K-BRZ

FILENAME: VEK1-LED26-A-5K-BRZ-PC.IES

IESNA:LM-63-2002

[TESTLAB] UL Verification Services (Guangzhou) Co., Ltd.

[TESTDATE] 12/10/2014

[ISSUEDATE] 12/10/2014

[LUMCAT] VEK1-LED26-A-5K-BRZ

[LUMINAIRE] VEK1 SERIES

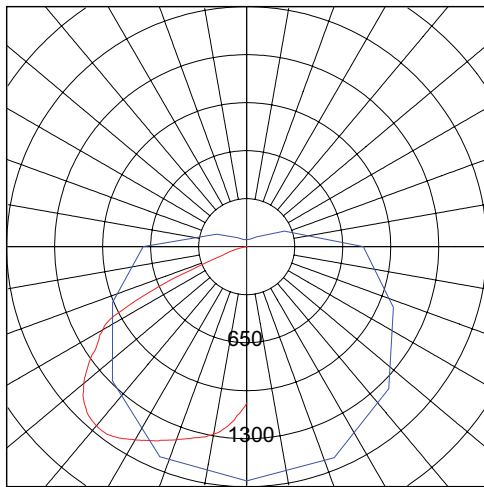
[LAMP] CAT

[LAMP]

SUMMARY DATA

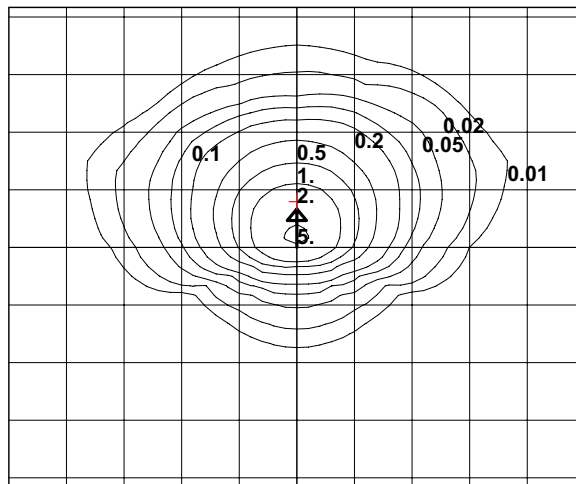
EFFICIENCY (Total): - 259278.0 %
 EFFICIENCY (Down / Up): - 259132.2 % / - 145.9 %
 EFFICIENCY (Street / House): 0.0 % / 0.0 %
 LUMENS/LAMP: -1
 NO. OF LAMPS: 1
 LUMINOUS OPENING: POINT SOURCE
 Width: 0.00 (Meters)
 Length: 0.00
 Height: 0.00
 INPUT WATTS: 26.26

PLANE & CONE DIAGRAM



Max plane at H = 0 Max cone at V = 38.5
 MAX CANDLEPOWER: 1585.052

ISO-ILLUMINANCE DIAGRAM



Mounting Height = 15 Feet. Each box represents one mounting height.

Mounting Height	Multiplier
10	2.250
15	1.000
20	0.563
25	0.360
30	0.250
35	0.184
40	0.141
45	0.111
50	0.090

+ = Point of max candela

ORDERING GUIDE

VEK1	-	LED26	-		-		-	
		VOLTAGE	COLOR TEMP		FINISH		DRIVER	OPTIONS
		A - 120V*	5K - 5000K*		BRZ - BRONZE*		DIM - Dimmable*	PC - Photocell*
		B - 120-277V	4K - 4000K		WHT - WHITE*			BLANK - no photocell
		F - 277V	3K - 3000K		BLK - BLACK*			
		C - 347V			CC - Custom Colour			

* Standard configuration

Consult customer service to add the dimmable smart sensor (MS180DIM) or the on/off sensor (MS180S) to the VEK fixture as a combined unit.

Goof tray accessories can be ordered separately