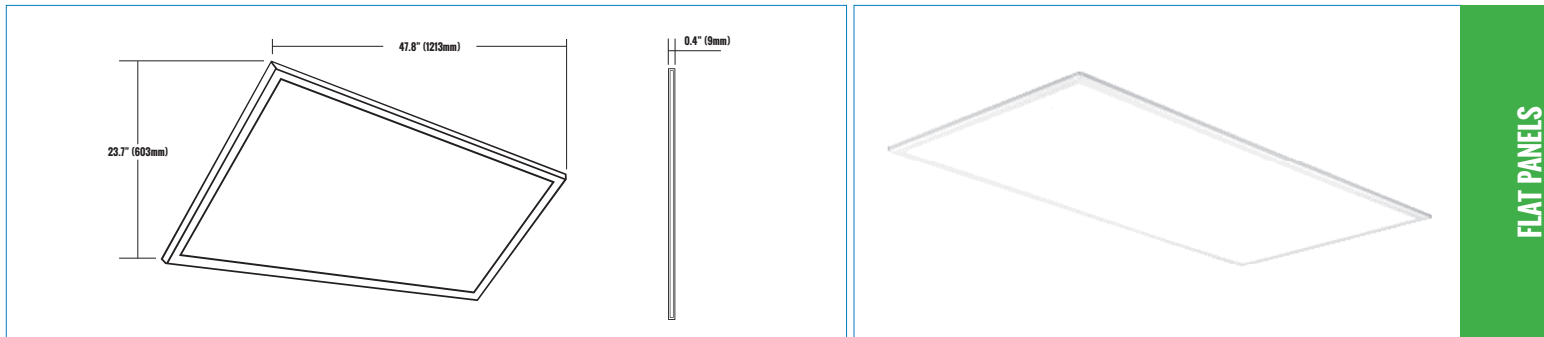


CATALOG #		TYPE
PROJECT		DATE
PREPARED BY		

**PRODUCT CODE: RTP424-60330-WH**
**2X4 LED ULTRA SLIM PANEL TROFFER**
**D19**

**FLAT PANELS**
**PRODUCT DESCRIPTION**

The Etlin-Daniels RTP424-60330-WH Ultra-Slim LED Panel Troffers offers energy savings, reduced maintenance and improved illumination advantages over traditional fluorescent fixtures. The Edge-Lit, high performance diode components and premium polycarbonate lens provide even and glare-free lighting.

With our new 120-347V driver, there is no longer any need to stock different voltage of each panel. And, with three mounting options - recessed/surface/suspended - our LED panels will compliment any office, educational, healthcare, commercial or industrial application, whether they be used to retrofit and upgrade the look of an existing site, or installed in a new build. For further energy savings, take advantage of the 0-10V Continuous Dimming. Available in 3000K, 3500K and 4000K.

**FEATURES**

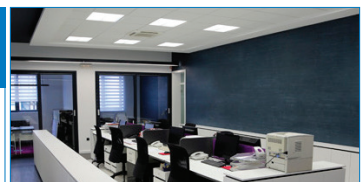
- Indoor LED Light Source
- Light weight and durable aluminum and polycarbonate housing
- Edge-Lit surface illumination glare-free uniformity
- Recessed, Surface & Suspension Mounting available
- 120-347V Driver - covers all potential voltage installations
- Earthquake Clips for secure recessed installations
- Easy and secure wiring with pre-installed disconnects
- 0-10V Continuous Dimming
- 5 year warranty
- 50,000 hours L70
- DLC Standard

**PRODUCT SPECIFICATIONS (OPTICAL DATA)**
**PRODUCT SPECIFICATIONS (ELECTRICAL DATA)**

LED TYPE	LED QTY	SYSTEM EFFICACY	LUMENS	COLOR TEMPERATURE	BEAM ANGLE	CRI	SYSTEM EFFICIENCY	VOLTAGE	POWER FREQ.	POWER EFFICIENCY	POWER FACTOR	HARMONIC DISTORTION
2835	192 CHIPS	110LM/W± 5%	6600LM	3000K	120°	>80CRI	>88%	AC120~347V	50~60HZ	>88%	>0.95	<20%

**PRODUCT SPECIFICATIONS**

WATTAGE	FIXTURE MATERIAL	LIFE SPAN	STORAGE TEMP	OPERATING TEMP	PRODUCT DIMENSIONS	CARTON SIZE
60W	ALUMINUM & POLYCARBONATE	>50,000 HOURS	-40°C~-50°C -40°F~-58°F	-40°C~-50°C -40°F~-58°F	47.75 X 23.74 X 0.50 INCHES (1213 X 603 X 12.6 MM)	50 X 3.54 X 25.98 INCHES (1270 X 90 X 660 MM)


**ADDITIONAL INFORMATION**

INSTALLATION METHOD	FIXTURE COLOR	CONTROL TYPE
SUSPENSION/CANOPY SUSPENSION/ SURFACE/T-BAR MOUNT APPLICATIONS	ANODIZED WHITE ALUMINUM FRAME	0-10V CONTINUOUS DIMMING

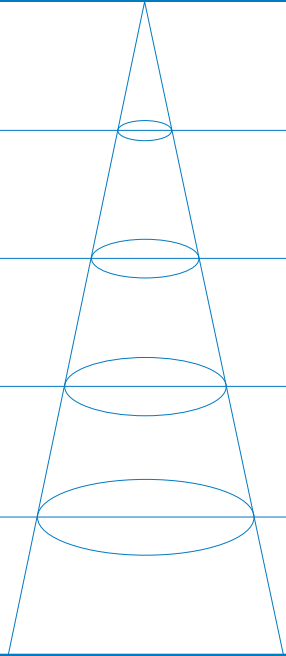
CATALOG #		TYPE
PROJECT		DATE
PREPARED BY		

**PRODUCT CODE: RTP424-60330-WH**

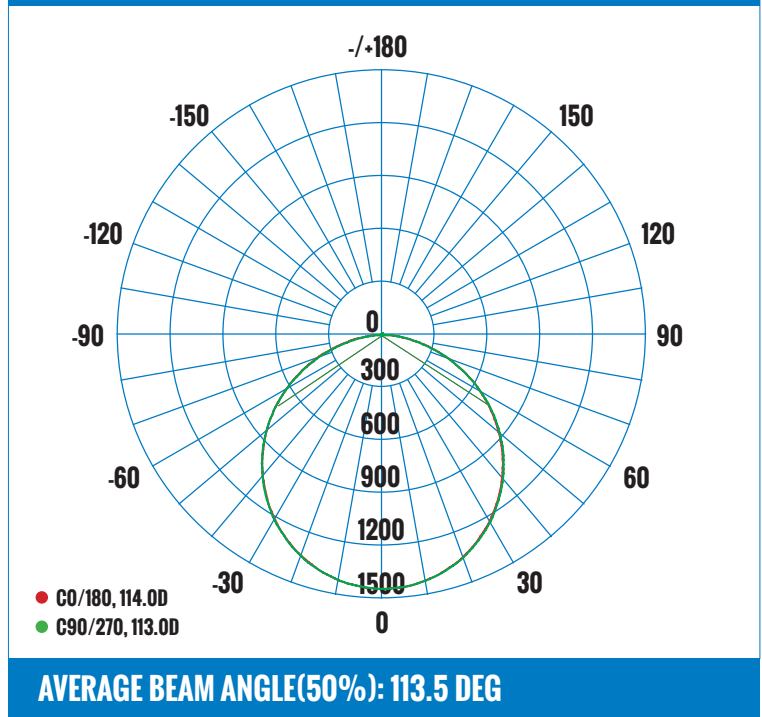
**2X4 LED ULTRA SLIM PANEL TROFFER**

**LUMINAIRE PHOTOMETRIC (TEST REPORT)**

**ILLUMINANCE (AT A DISTANCE) - FLUX OUT: 3134LM**

3.28FT 1M	420.7FC 1473LX		9.94FT 3.03M
6.56FT 2M	105.2FC 368.2LX		19.85FT 6.05M
9.84FT 3M	46.74FC 163.6LX		29.76FT 9.07M
13.12FT 4M	26.29FC 92.04LX		39.67FT 12.09M
16.40FT 5M	16.83FC 58.91LX		49.61FT 15.12M
<b>HT</b>	<b>EAVG/EMAX</b>	<b>ANGLE: 113.03 DEG</b>	<b>DIA</b>

**LUMINOUS INTENSITY DISTRIBUTION DIAGRAM**



**CERTIFICATIONS**



**DRIVER/LED CHIP**



**MOUNTING OPTIONS**



**ORDERING INFORMATION - RTP SERIES**

SERIES	DLC TYPE	SIZE	WATTS	VOLTAGE	COLOR TEMPERATURE	DIMMABLE	FINISH
E.G. RTP	4	24	60	3	3	0	WH
RTP - SLIM	4 - DLC4	24 - 2X4	60 - 60W	3 - 120-347V	3 - 3000K	0 - 0-10V	WH - WHITE
PANEL TROFFER						CONTINUOUS DIMMING	

Head Office - 1850 Wilson Ave. · Toronto, ON · M9M 1A1 · Tel: 416.741.7336 · Fax: 416.741.9104

Toll Free: in Canada. 1.800.661.9610 · in USA. 1.888.762.5384 (SOCKETS4U)

www.etlin-daniels.com · For sales/service questions - sales@etlin.com